



Horti-Spec

Professional Horticulture Lighting Solution

**Optimal Solution For Vertical Farms
Application Growing Cannabis**



Key Features

- LED lighting solution for vertical rack growing cannabis
- High efficacy more than $2.3\mu\text{mol}/\text{j}$.
- Inventronics driver + Nichia, Osram LEDs
- External driver with mould design , 0~10V dimming
- IP65 rating with 5 years warranty
- Mould design , easy for maintenance and replacement
- Independent package for light bars ,driver (together with bracket and clips) . Cut the shipping cost
- According to the requirements of customers , it can be single , multi-mode group application .

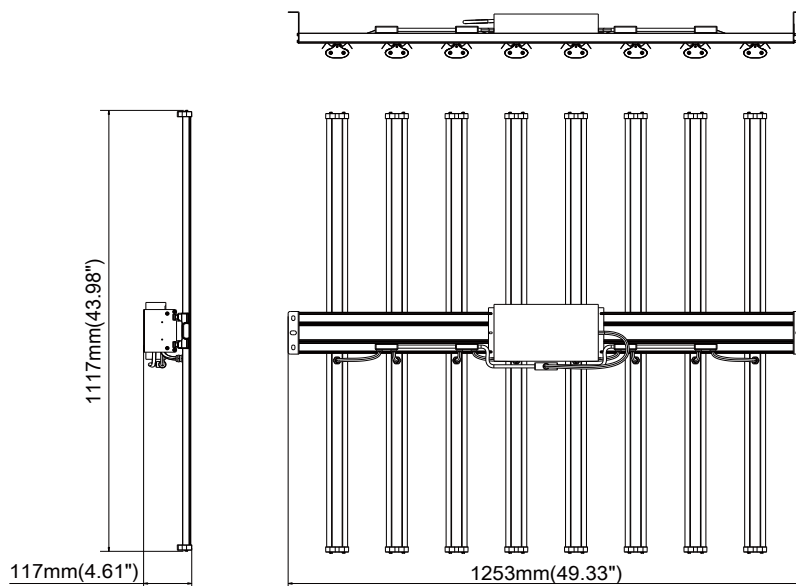
Description

Horti-Spec is a state-of-the-art vertical lighting solution for commercial horticulture cultivation , with the power to scale from seeding growth to vegetative. For optimal results, we recommend Horti spec deployed in environments with CO2 supplementation between 800-1400 ppm in reproductive growth stage due to high PPF levels. Waterproof solution , it can support the hydroponics systems environment.

Specification

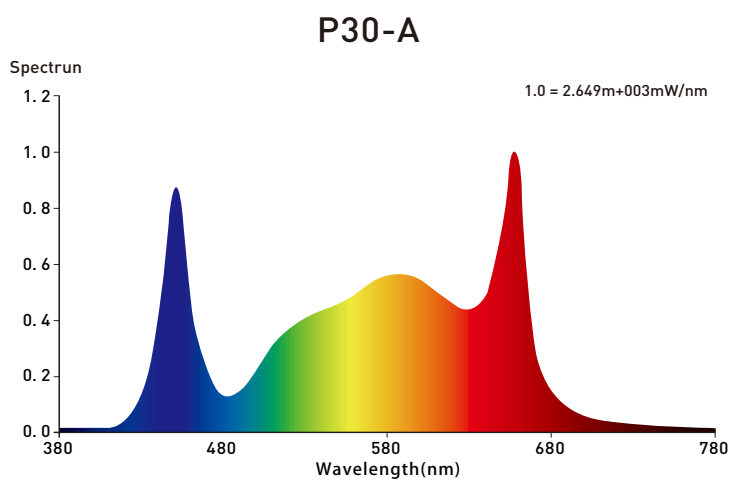
Item No	HL05-600
Power	600W
System Efficacy	>2.3 μ mol/J (400~700nm)
PPF Output	>1380 μ mol/s
Power Input	100-277Vac
Input Frequency	50-60 Hz
Power Factor	>0.98
Dimming	0~10V
IP Rating	IP65
Dimensions	1253 x 1117 x 116.7 mm
Weight	14.6 kg
Warranty	5 years
Certificate Pending	CE , ROHS

Dimension Drawing



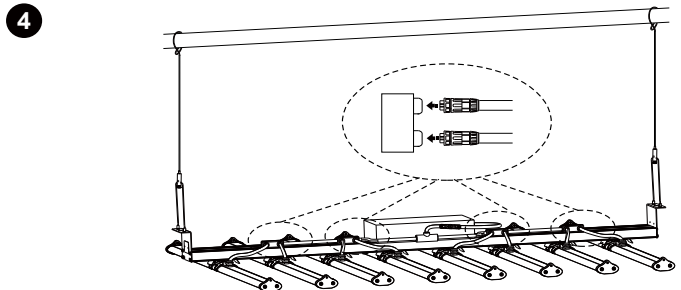
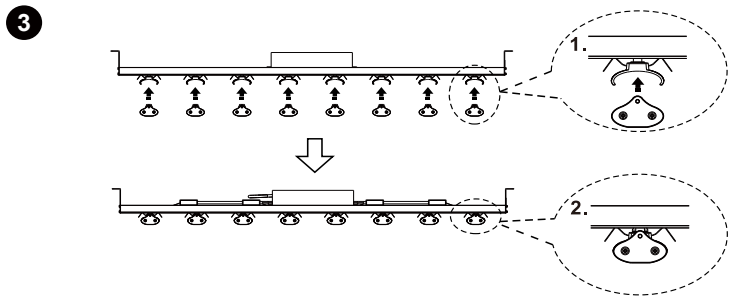
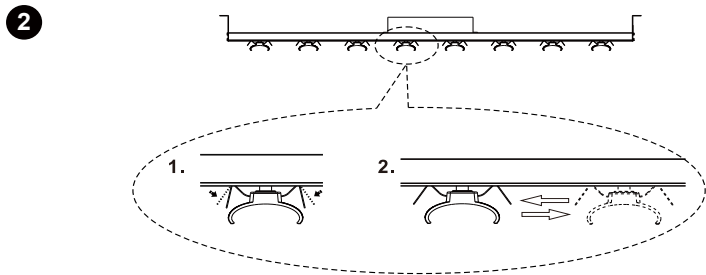
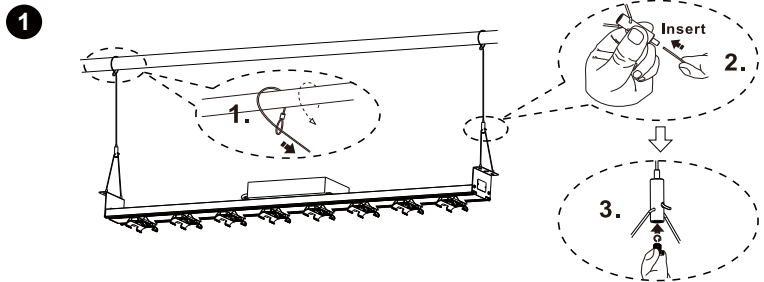
Optimal Spectrum

At the flowering stage of cannabis , using full spectrum flowering distribution promotes nutrient growing of cannabis plants, designed with an emphasis on the red and far red range to ensure the quality and quantity of flowering yields.

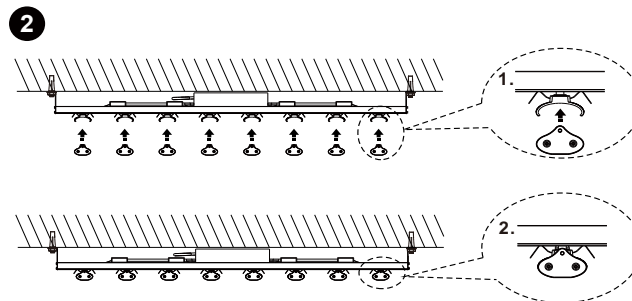
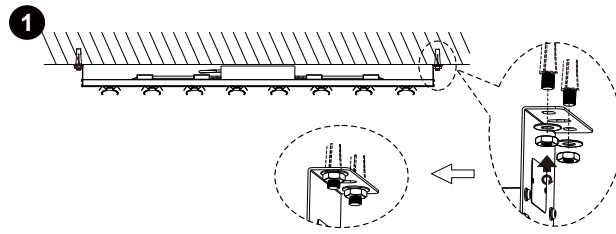


Installation Instructions

A. Wire Suspension Installation



B. Ceiling Mount Installation



Applications



Accessories

Safety line , connector , driver box,EU/AU/US plugs