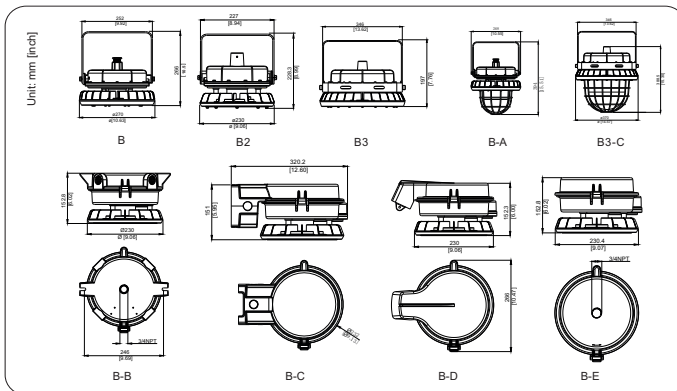


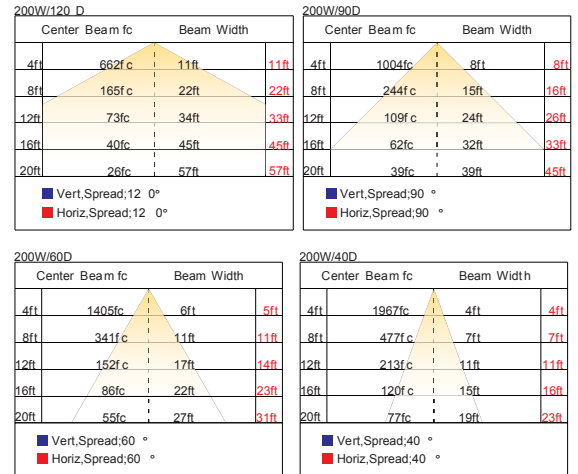
Explosion Proof High Bay B Series



Dimensions



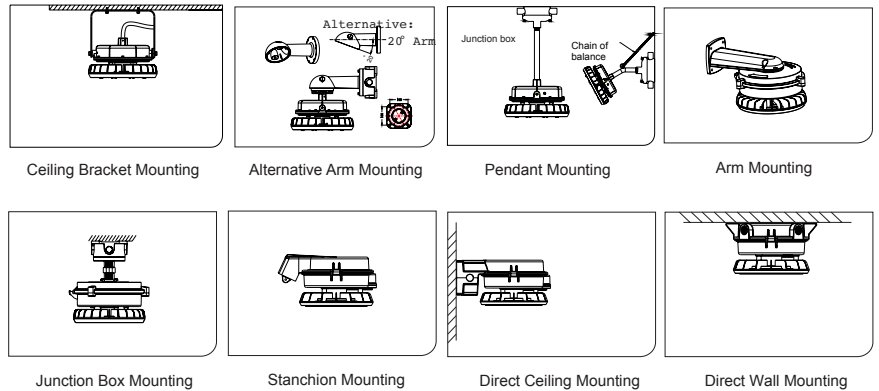
Lighting Distribution



Approvals

Marking Atex	II2 G Ex db IIB T6 Gb II2 D Ex db IIIC T80 Db IP66
Marking IECEx	Ex db IIB T6 Gb Ex db IIIC T80 Db IP66
Marking UL844 (North American)	Class I, Division 2, Groups A, B, C, D Class II, Division 1, Groups E, F, G Class II, Division 2, Groups E, F, G Class III
Marine Marking	UL 1598A ABS and DNV Type Approved
Other Rating	IP 66 IK 10

Installation

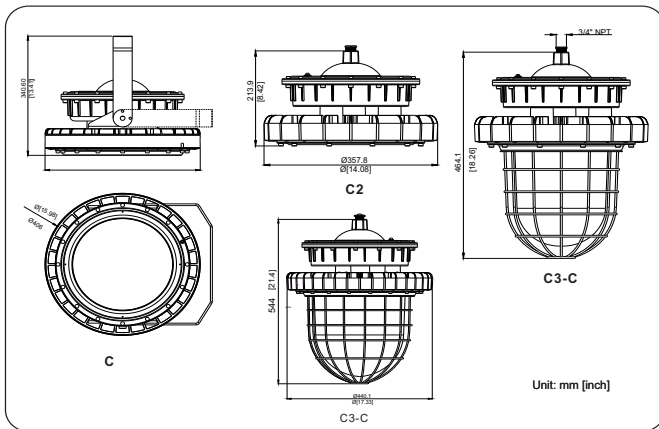


Model	Watts	Lumens	CCT	CRI	Voltage	Warranty
AGL EX-20W B2YZDA	20	2800	4000K - 5700K	70	100-277	5 Years
AGL EX-40W B2YZDA	40	5800	4000K - 5700K	70	100-277	5 Years
AGL EX-60W B2YZDA	60	8400	4000K - 5700K	70	100-277/200-480V	5 Years
AGL EX-80W BYZDA	80	11200	4000K - 5700K	70	100-277/200-480V	5 Years
AGL EX-100W BYZDA	100	14000	4000K - 5700K	70	100-277/200-480V	5 Years
AGL EX-150W B3YZDA	150	21000	4000K - 5700K	70	100-277/200-480V	5 Years
AGL EX-180W B3YZDA	180	25200	4000K - 5700K	70	100-277/200-480V	5 Years
AGL EX-200W B3YZDA	200	28000	4000K - 5700K	70	100-277/200-480V	5 Years

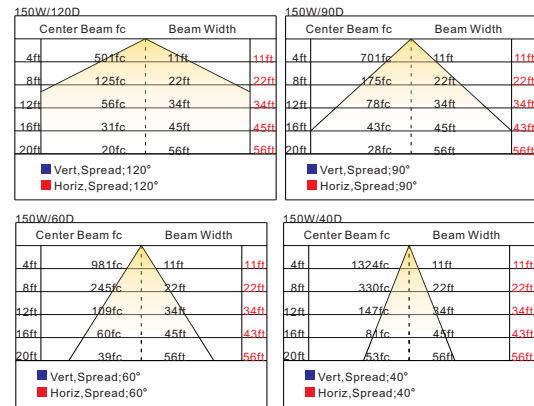
Explosion Proof High Bay C Series



Dimensions



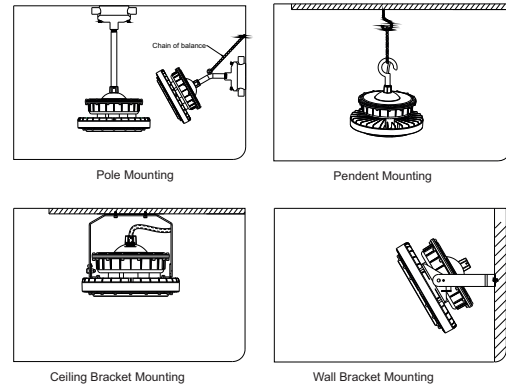
Lighting Distribution



Approvals

Marking Atex	II2 G Ex db IIC T6 Gb II2 D Ex db IIIC T80 Db IP66
Marking IECEx	Ex db IIC T6 Gb Ex db IIIC T80 Db IP66
Marking UL844 (North American)	Class I, Division 1, Groups C, D Class I, Division 2, Groups A, B, C, D Class II, Division 1, Groups E, F, G Class II, Division 2, Groups E, F, G Class III
Marine Marking	UL 1598A ABS and DNV Type Approved
Other Rating	IP 66 IK 10

Installation



Model	Watts	Lumens	CCT	CRI	Voltage	Warranty
AGL EX-20W C2YZDA	20	2800	4000K - 5700K	70	100-277/200-480V	5 Years
AGL EX-60W C2YZDA	60	8400	4000K - 5700K	70	100-277/200-480V	5 Years
AGL EX-80W C2YZDA	80	11200	4000K - 5700K	70	100-277/200-480V	5 Years
AGL EX-100W CYZDA	100	14000	4000K - 5700K	70	100-277/200-480V	5 Years
AGL EX-150W CYZDA	150	21000	4000K - 5700K	70	100-277/200-480V	5 Years
AGL EX-200WC3YZDA	200	28000	4000K - 5700K	70	100-277/200-480V	5 Years
AGL EX-300W C3YZDA	300	42000	4000K - 5700K	70	100-277/200-480V	5 Years